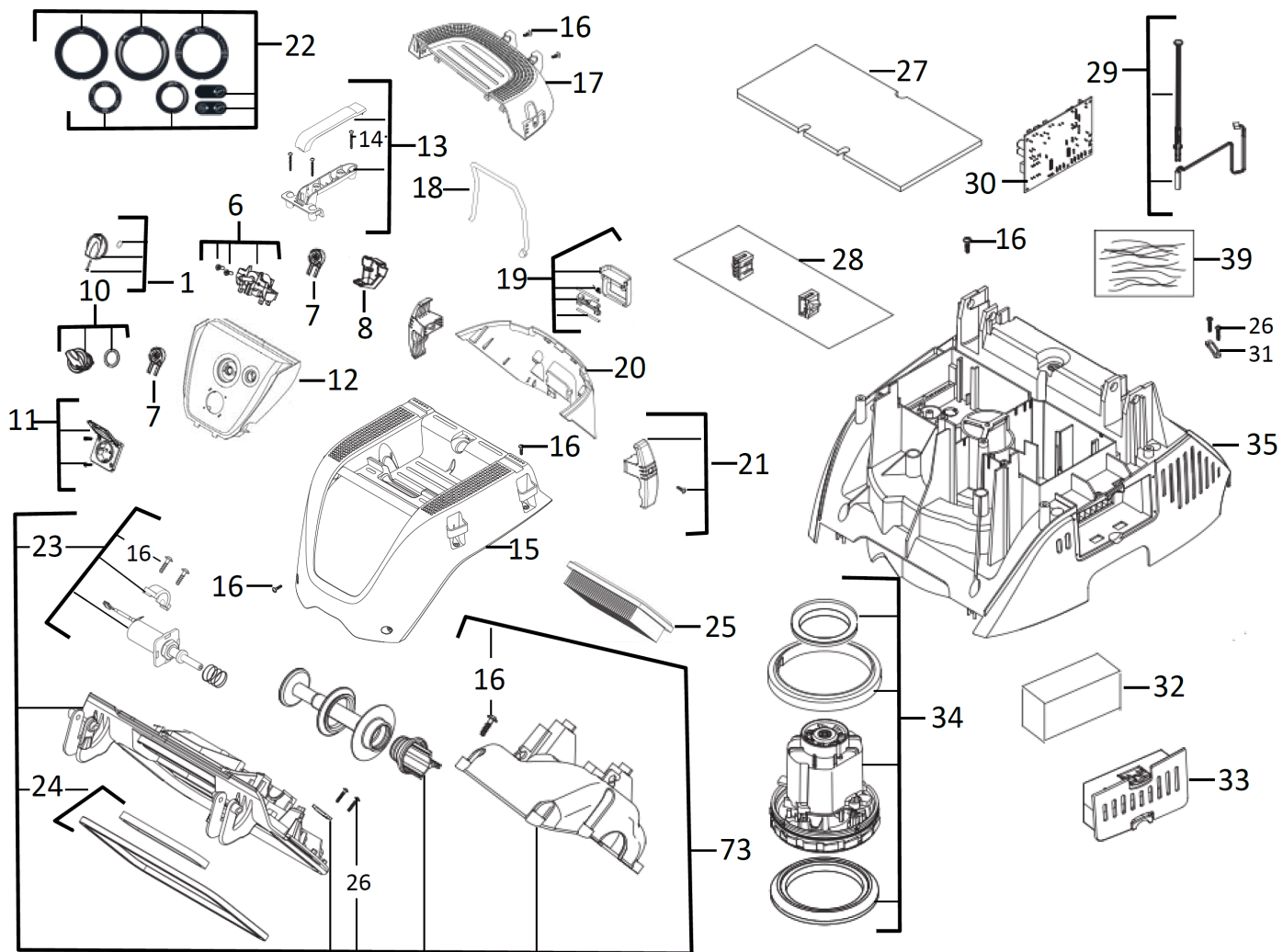
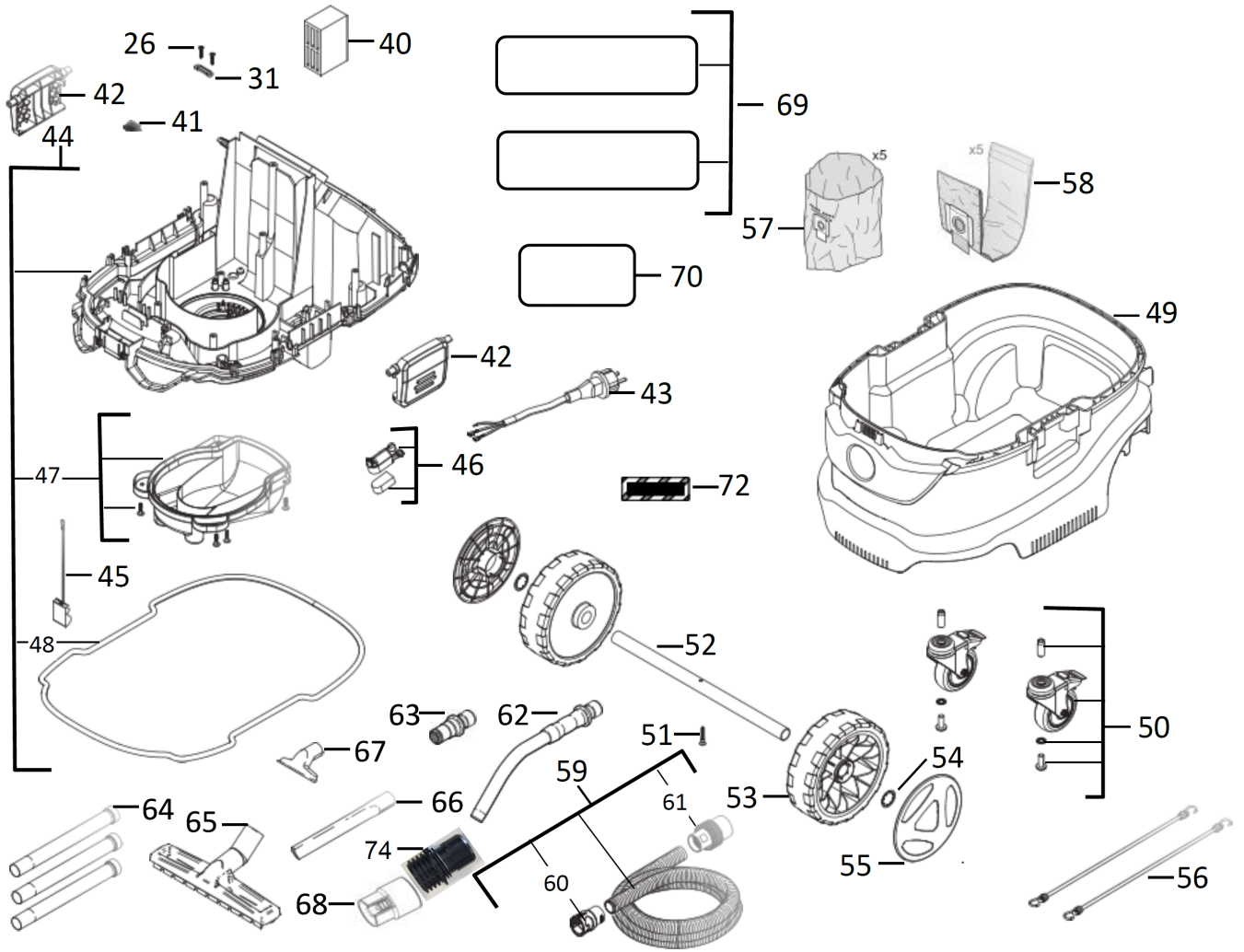


# AS-30LAC AC 30L L CL.WET-DRY CLEANER IN2

4933459411 - AS-30LACAC30LLCLASS - 4000458785







Position	Quantity	Description	Part number	EAN
0001 1	1	KNOB	4931416119	4002395805389
0006 2	1	SWITCH KIT	4931461823	4058546040567
0007 3	2	POTENTIOMETER	4931461824	4058546040574
0008 4	1	COVER	4931461825	4058546040581
0010 5	2	KNOB	4931461826	4058546040598
0011 6	1	WALL SOCKET	4931416260	4002395796458
0012 7	1	CONTROL PANEL KIT	4931461827	4058546040604
0013 8	1	HANDLE SET	4931461828	4058546040611
0014 9	1	PART NOT DEATAILED	1000063920	
0015 10	1	HOUSING COVER	4931461830	4058546040635
0016 11	17	SCREW	4931448663	4002395261819
0017 12	1	HOUSING COVER	4931461831	4058546040642
0018 13	1	WAISTBELT	4931461832	4058546040659
0019 14	1	CLAMP	4931461833	4058546040666
0020 15	1	HOUSING COVER	4931461834	4058546040673
0021 16	2	HOOK	4931461835	4058546040680
0022 17	1	ADHESIVE LABEL	4931461836	4058546040697
0023 18	1	COIL	4931461837	4058546040703
0024 19	1	GASKET	4931461838	4058546040710
0025 20	1	PTFE FLAT FILTER - 1PC	4932459687	4058546028596
0026 21	4	SCREW	4931448666	4002395258420
0027 22	1	FOAM SLUG	4931461839	4058546040727
0028 23	1	HOLDING DEVICE	4931461840	4058546040734
0029 24	1	GAUGE	4931461841	4058546040741
0030 25	1	ELECTRONIC	4931461842	4058546040758
0031 26	2	CABLE JOINT	Item discontinued(4931416316)	
0032 27	1	DIFFUSER	4931461843	4058546040765
0033 28	1	COVER	4931461844	4058546040772
0034 29	1	MOTOR ASSEMBLY	4931461845	4058546229450
0035 30	1	HOUSING COVER	4931461846	4058546229467
0039 31	1	CAPACITOR	4931461847	4058546229474
0040 32	1	SHOCK ABSORBER	4931461848	4058546229481
0041 33	1	CONNECTION SET	Item discontinued(4931416317)	
0042 34	2	STAPLE	4931461849	4058546229498
0043 35	1	CONNECTION CABLE	4931446489	4002395877164
0044 36	1	BODY	4931461850	4058546229504
0045 37	1	CONTACT SPRING	4931461851	4058546229511
0046 38	1	MAGNET.DISC FASTEN.	4931461852	4058546229528
0047 39	1	COVER	4931461853	4058546229535
0048 40	1	GASKET	4931461854	4058546229542
0049 41	1	TANK	4931461855	4058546229559
0050 42	1	ROLL	4931461856	4058546229566
0051 43	1	SCREW	4931461857	4058546229573
0052 44	1	AXLE	4931416336	4002395797998
0053 45	2	ROLL	4931461858	4058546229580
0054 46	2	SLEEVE	4931416339	4002395795185
0055 47	2	COVER	4931461859	4058546229597
0056 48	1	WAISTBELT	4931461860	4058546229603
0059 49	1	SUCTION HOSE	4931461861	4058546229610
0060 50	1	ADAPTER	4931461862	4058546229627

Position	Quantity	Description	Part number	EAN
0061 51	1	MUFF	4931416458	4002395847167
0062 52	1	ADAPTER	4931416166	4002395805495
0063 53	1	MUFF	4931416173	4002395805501
0064 54	1	SUCTION TUBE (3 pc)	4931461863	4058546229634
0065 55	1	FLOOR TOOL	4931448691	4002395256471
0066 56	1	NOZZLE	4931416284	4002395797097
0067 57	1	NOZZLE	4931416283	4002395797080
0068 58	1	CONNECTOR	4931447294	4002395251490
0069 59	1	RATING PLATE	4931461864	4058546229641
0070 60	1	ADHESIVE LABEL	4931461865	4058546229658
0072 61	1	ADHESIVE LABEL	4931461866	4058546229665
0073 62	1	FRAME CAP	4931461867	4058546229672
0074 63	1	ADAPTOR / CONNECTOR	4931463999	4058546270490
0057 64	1	DISPOSAL BAGS (30L) - 5PCS	4932459690	4058546028626
0058 65	1	AS 30/42 FLEECE FILTER BAGS - 5PCS	4932459689	4058546028619